

Arrive InfoPoint™ - ID 800

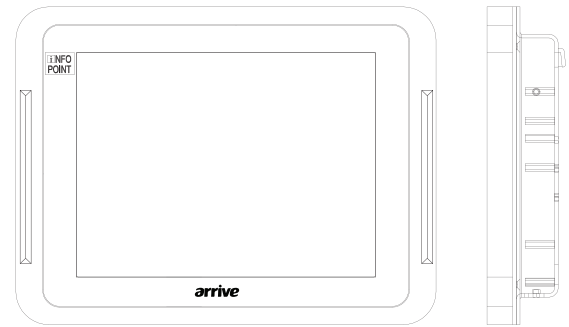
8" Interactive Room Reservation Signage

Model AIP-ID-800



Arrive InfoPoint™ Information Display (ID) is a networked room signage system which works as a client to a central management server console, Arrive's leading edge OnePoint EdgelessMedia Server. It provides powerful room reservation, resource scheduling, and broadcast signage that enable efficient utilization of room resources in shared spaces. The scheduling platform eliminates double-booking conflicts, and ensures that room schedules are optimized. The integrated large 8" touch-screen display provides booking information at a-glance right outside the room door. It shows the room reservation calendar, start, end and remaining time of ongoing bookings, or the next reservation to help optimize Available or Reserved status visually.

The powerful Arrive InfoPoint 2.0 integrated software provides users the ability to reserve rooms remotely via web, Office 365, or Microsoft® Exchange™ in advance, or make instant reservations right outside the door. Arrive InfoPoint ID800 works with a dedicated room signage server platform called Arrive OnePoint EMServer which can handle large, enterprise type installations. Arrive OnePoint also offers powerful integration with other Arrive devices such as Arrive InfoView, FacePoint and Arrive ControlPoint to offer the only integrated room management system on the market.



AIP-ID-800



Key Features

- With more powerful Arrive InfoPoint 2.0 software fully integrated with Microsoft Exchange/Ofc 365 calendars meeting invitation process.
- Reserve and schedule from web-based user interface or directly from the Arrive InfoPoint 8" touch panel; schedule recurring events on a daily and weekly basis
- Faster and more convenient options for ad hoc on screen bookings:
 - "By Duration"** – Uses Quick Pick, a feature allowing users to choose meeting duration time in 15/30/45/60/90/120 minute blocks. Also allows discrete selection by keying in the exact number of minutes needed.
 - "By Availability"** – Shows the vacant periods in between reserved time blocks. Allows users to choose from the open time blocks by pressing on "Book this" for InfoPoint to automatically reserve the room.
- Use as a signage medium to display images, broadcast emergency announcements, weather, and other information on demand
- Provision for display of brand/logo on the home screen plus a ticker line running information and other non-emergency messages
- Display important messages for meeting attendees via the Note button on the front panel
- Seamless integration with other ARRIVE products such as the InfoView, FacePoint and ControlPoint.
- Create, Extend, End, and View room schedules on-the-fly
- Generate and export room usage statistics and other reports



Hardware

Display

Screen Size (diagonal)	8" (20.32 cm)
Touch technology	Capacitive Touch
Sensing object	Finger
Supported formats	Image: JPEG, BMP, PNG
Highly Visible Status Light	Arrive's unique LED reflected pipe: Red for "Reserved", Green for "Available"
Power	PoE / DC5V (in case PoE is not available)
PoE	IEEE802.3af compliant for single wire data and power inputs



Software and Functional Specifications

Network Communication	RJ45: x1, Ethernet 10/100 Mbit, PoE
UI Languages	English
Software	Arrive InfoPoint 2.0 application running on Google Android optimized OS

Features	<ul style="list-style-type: none"> • Ad-hoc and future booking • End or Extend current meeting • Digital signage to display information, announcements, emergency notifications, real time weather, etc. • Sticky Note feature • Calendar Day/Week display • Settings page for Meeting/Calendar/Weather/Features/System • Report issues/Provide analytics/Venue information, etc
Prerequisites:	<ul style="list-style-type: none"> • Microsoft Exchange on Premise / Exchange Online - Office 365 • Best Practice implementation of Domain Name, Exchange service URL (EWS URL) to synchronize with room mail box, Power shell URL to fetch users and rooms with Impersonated user set-up. • Arrive OnePoint EMServer (ver 1.0.x.xx)
User synchronization from Exchange server	
Room synchronization from Exchange server	
Schedule polling from room mail box in Exchange	
Single and recurring scheduling possible	
Add/Edit/Delete for synchronized schedules	
Scheduling of meeting with attachments and attendees	

System requirements

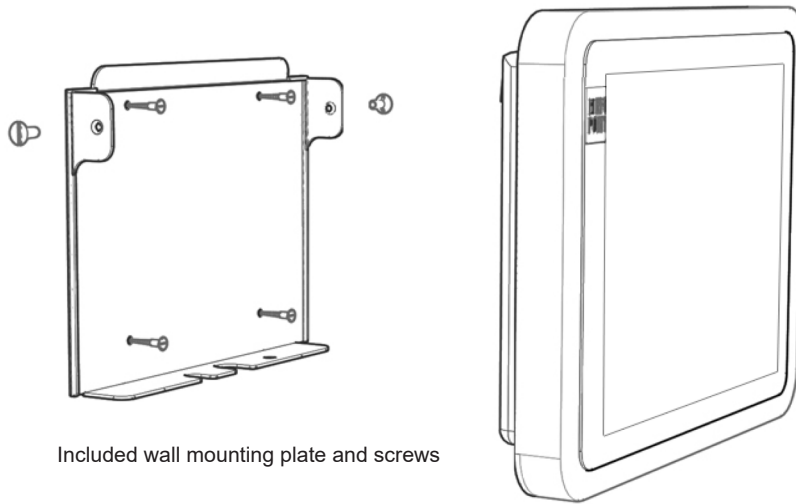
- Requires Arrive OnePoint EdgelessMedia Server (available separately) running in a virtual or physical Windows Server 2008R2 / 2012 environment with IIS and SQL Enterprise / SQL Express. Please refer to separate documentation for Arrive OnePoint EMS 1.0 for technical specifications.

SPECIFICATIONS

Arrive InfoPoint 8" Interactive Room Reservation Signage

Model AIP-ID-800

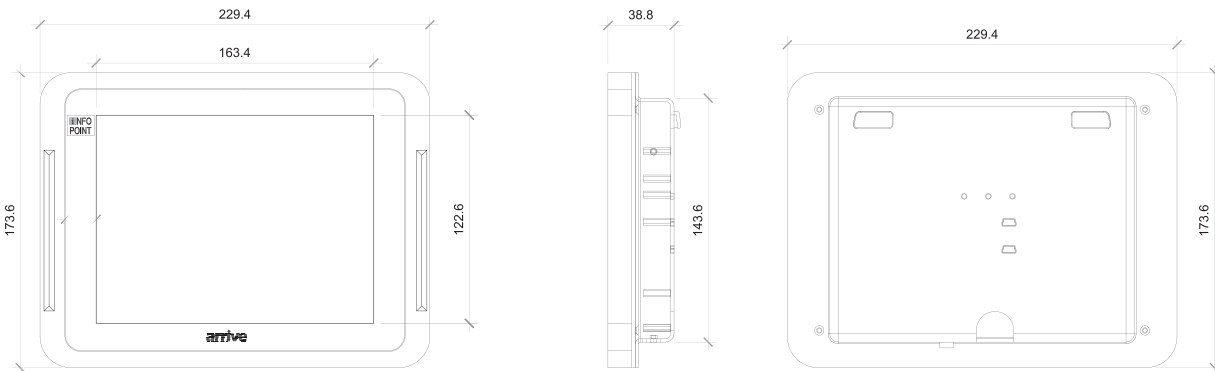
Frame/Case and Mounting



Included wall mounting plate and screws

Frame/Case	Translucent epoxy acrylic and Aluminum alloy
Color	Silver for mount and body, translucent for frame/LED enclosure
Mounting	Surface/Wall Mount
Mounting Holes	VESA® 100mm
Mounting Kit included	1x mounting plate, 4pcs screw
Optional Partial in-Wall Bracket	Available (Model No. AIP-WMK-800) for back case to be mounted inside walls

Dimensions and Weights*



FRONT VIEW

SIDE VIEW

BACK VIEW

Net Weight/unit	2.54 lbs (1.15 kg)
Unit dimension	9"Wx6.9"Hx1.5"D (229.4 x 173.6x 38.8mm)
Shipping dimensions at 1 unit/box:	10.7"x4.02"HWx8.66"L/D (271.78x102.108x219.964mm)
Gross Shipping weight	3.2 lbs (1.45 kg)

Certification and compliance

Regulatory certification	FCC Class A, CE
Environmental compliance	RoHS, WEEE

Purchasing information

Model No	AIP-ID-800
Description	Arrive InfoPoint™ 2.0 ID- 800 Interactive Room Reservation Signage
SKU#	AIP-0800-002-001

Support information*

AIP-STD-CFS-1	12 months renewal of CarePoint Foundation Service Support (CFSS) on or before expiry of existing support program.
AIP-STD-CFS-2	24 months renewal of CarePoint Foundation Service Support (CFSS) on or before expiry of existing support program.
AIP-STD-CFU-2	One-time 24 months CarePoint Foundation Service Support (CFSS) upgrade option, available within 90 days of initial purchase of InfoPoint device only.
AIP-STD-CFS-3	Extended 36 months CarePoint Foundation Service Support (CFSS) on or before expiry of existing support program.
AIP-STD-ASAP	CarePoint Advanced Support Action Program (ASAP) - Advance Hardware Replacement Warranty.
EULA-SLHW-0101-15	All Arrive® media and video collaboration processing products ship with a standard limited first user warranty that covers both software and hardware. Customer's have the choice of 12/24/36 month extended CarePoint Foundation Service Support, with a 24 months one-time optional upgrade during the initial purchase. Arrive believes in its services, and offers an excellent choice of extended warranties and advance replacement programs for customers. By making the CarePoint Foundations Services a unique service part number, Arrive signifies the importance that it places on customer service. Please refer to Ver. EULA-SLHW-0101-17 - visit carepoint.arrivesys.com/warranty for updated information on hardware warranty.

Notes:

Specifications may change without further notice.

* For terms and conditions, refer to CFSS/ASAP-0101-17. Support information may change without further notice. Refer to **carepoint.arrivesys.com** for the latest in support version.